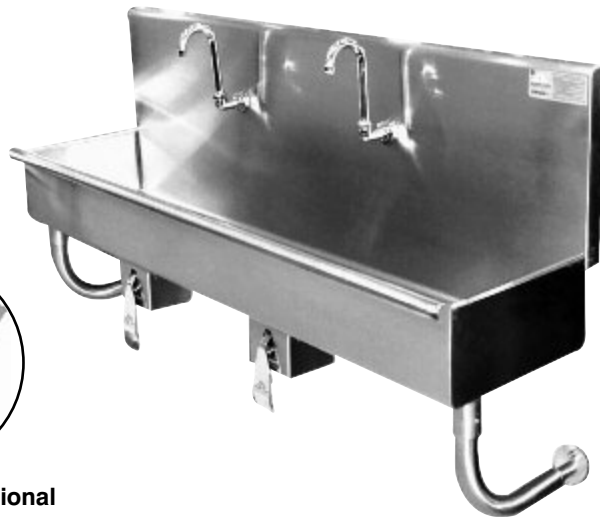




STAINLESS STEEL
HAND SINKS
MULTI-STATION

Item #: _____ **Qty #:** _____
Model #: _____
Project #: _____

Multi-Wash Multi-Functional



**Shown with Optional
Faucets & Knee Valve
Assembly**

**TUBULAR
Wall Brackets**

FEATURES:

- Square corner construction for extra duty applications.
- Tubular stainless steel supports allow full clearance underneath.
- 1 1/8" diameter faucet hole.
- Stainless steel "Z" brackets (2) supplied each unit.

CONSTRUCTION:

- All TIG welded.
- Welded areas blended to match adjacent surfaces and to a satin finish.
- Die formed tubular wall brackets.

MATERIAL:

- All 16 gauge type "304" stainless steel.
- 1 5/8" tubular stainless steel wall brackets.
- Stainless steel gussets.

MECHANICAL:

- Supply is 1/2" hot and cold.
- Faucet hole on centers.
- Faucets and foot pedals are not included (see accessories).
- Waste drain is 1 1/2" basket type, and is included.

Accessories	Model #	Qty
Faucet	K-121	
Knee Valve Assembly	7-PS-32	

Standard Faucet conforms to NSF 61 Standard 9. An optional faucet upgrade is required for compliance to AB 1953 Standards.

For Replacement Faucets & Upgrades, Drains & Accessories visit our website at www.advancetabco.com



Customer Service Available To Assist You 1-800-645-3166 8:30 am - 8:00 pm E.S.T.

Email Orders To: customer@advancetabco.com. For Smart Fabrication™ Quotes, Email To: smartfab@advancetabco.com or Fax To: 631-586-2933

NEW YORK
Fax: (631) 242-6900

GEORGIA
Fax: (770) 775-5625

TEXAS
Fax: (972) 932-4795

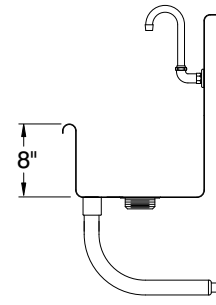
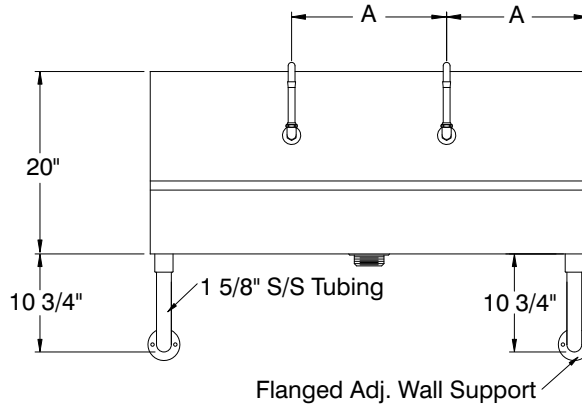
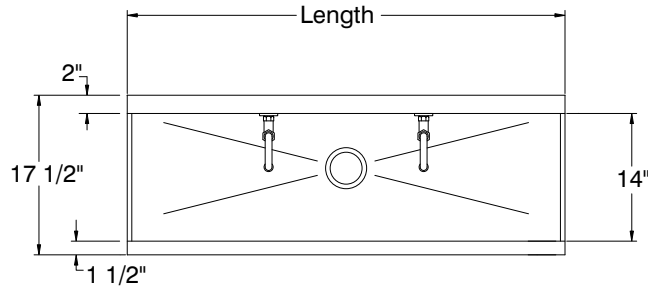
NEVADA
Fax: (775) 972-1578

DIMENSIONS and SPECIFICATIONS

TOL ± .500"

FITTINGS SUPPLIED AS SHOWN

ALL DIMENSIONS ARE TYPICAL



LENGTH	MODEL #	NO. OF FAUCETS	A	WEIGHT
23"	19-18-23	1	12"	50
48"	19-18-48	2	16"	90
60"	19-18-60	2	20"	102
72"	19-18-72	3	18"	114
96"	19-18-96	4	19 3/16"	138

NOTE: 96" Unit provided with 2 Drains.

OPTIONAL ACCESSORIES

7-PS-32	KNEE VALVE ASSEMBLY
K-121	FAUCET
K-175	ELECTRONIC FAUCET

