

**FEATURES:**

- 7" High X 1-3/4" Thick Backsplash.
- Bolts to existing line-up equipment.
- Removable perforated drainboard top.
- Available left or right side.

**OPTIONAL LEGS AVAILABLE**

**SU-14-** Twist-Action Leg Assembly (set of 2)

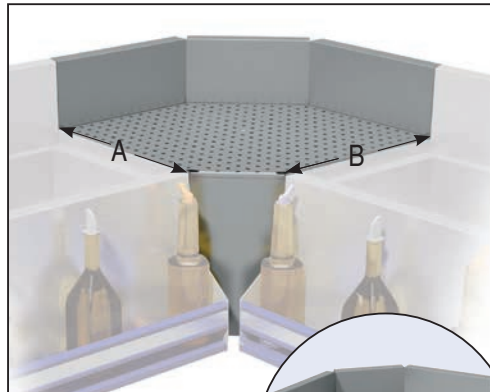
**MECHANICAL:**

- 1" IPS drain.
- Removable perforated drainboard top.

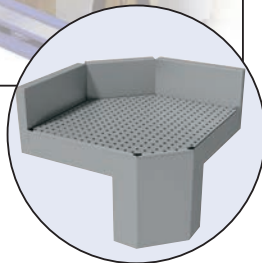
**MATERIAL:**

- 20 gauge, 300 stainless steel.
- Drainboard:** 18 gauge, 300 stainless steel.

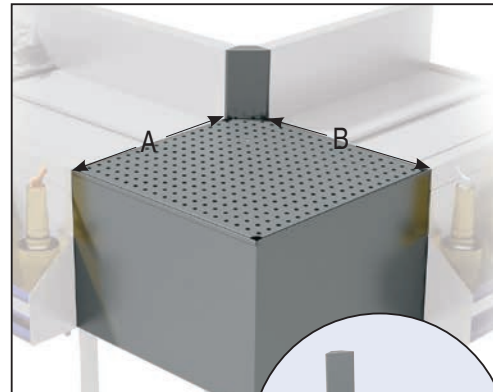
Item #: _____	Qty #: _____
Model #: _____	
Project #: _____	



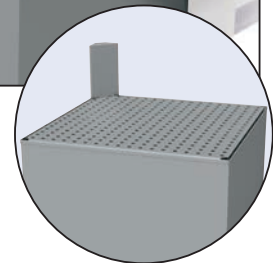
**PRF-20-90IC**



**(Inside Corner)**



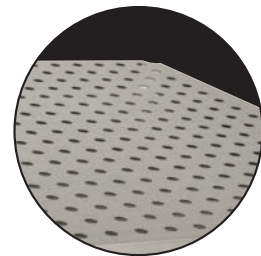
**PRF-20-90OC**



**(Outside Corner)**

Model #	Size (A) x (B)	Approx. Weight	Approx. Cu. Ft.
PRF-20-90IC or OC*	20" x 20"	82 lbs.	16
PRF-25-90IC or OC*	25" x 25"	84 lbs.	16

\* IC = Inside Corner OC = Outside Corner



Removable Perforated  
Drainboard Top

**PLEASE NOTE: FILLERS BUILT TO ORDER & CAN NOT BE RETURNED**

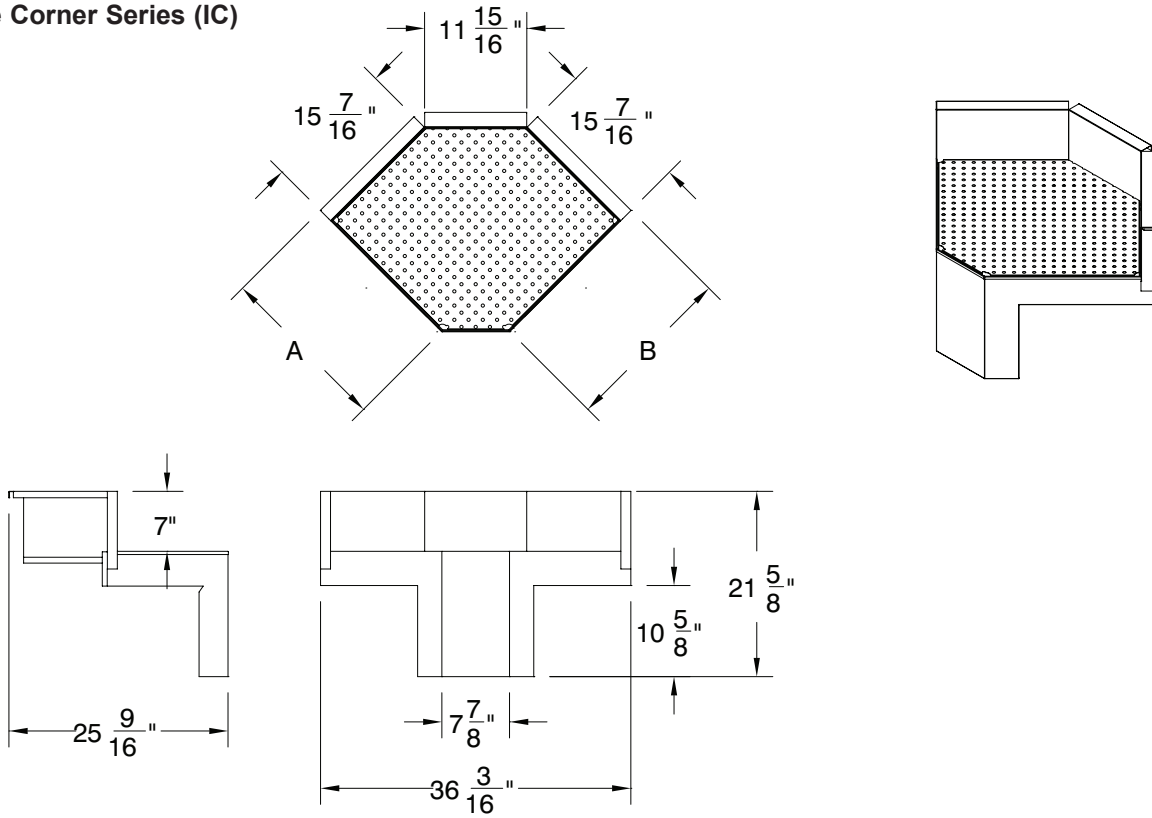
**CUSTOM SIZES AVAILABLE - Consult Factory For Details**

# DIMENSIONS and SPECIFICATIONS

TOL Overall:  $\pm .500"$  Interior:  $\pm .250"$

ALL DIMENSIONS ARE TYPICAL

## PRF Inside Corner Series (IC)



## PRF Inside Corner Series (OC)

