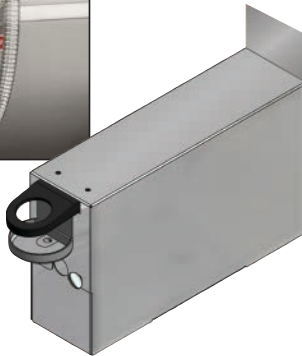




PRESTIGE Signature Series Soda Gun Holder 20" and 25" Wide



PRSH-19-6
Shown



Item #: _____ Qty #: _____

Model #: _____

Project #: _____

DETAILS and SPECIFICATIONS

TOL Overall: ± .500" Interior: ± .250"

ALL DIMENSIONS ARE TYPICAL

FEATURES:

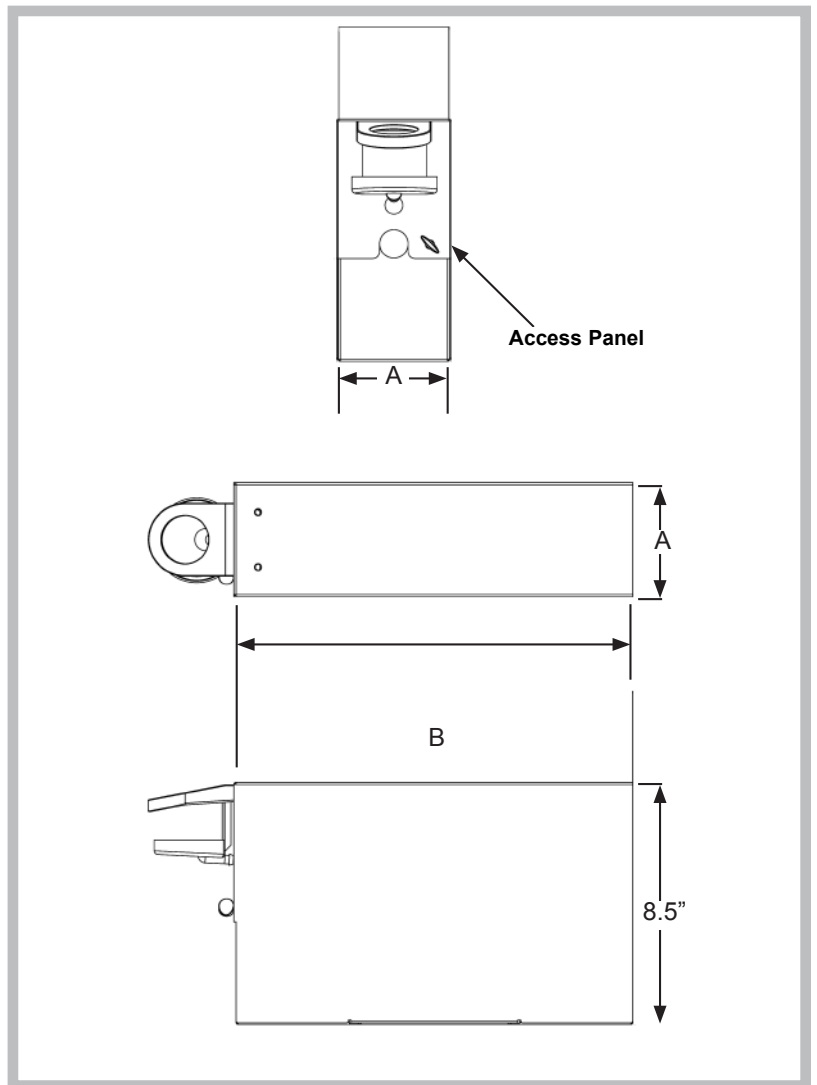
- Mounts into Prestige underbar line up.
- All stainless steel construction.
- Provides housing for WunderBar® Soda Gun (14-button or smaller).
- Built-in cradle with hole for drip cup.
- Cover allows easy access to make adjustments.
- Keeps tubing lines hidden for a cleaner work area.
- Mounts in underbar equipment line up.
- Includes backsplash.

MATERIAL:

- Structure:** 20 gauge, 300 stainless steel
- Access Panel:** 18 gauge, 300 stainless steel

MECHANICAL:

- Drain connection required on drip cup.



Model #	O.A. Length (A)	O.A. Width (B)	Holder Height	Approx. Weight	Approx. Cu. Ft.
PRSH-19-6	6"	20"	37 8/10"	19 lbs.	3
PRSH-24-6	6"	25"	37 8/10"	20 lbs.	3



Customer Service Available To Assist You 1-800-645-3166 8:30 am - 8:00 pm E.S.T.

For Orders & Customer Service:

Email: customer@advancetabco.com or Fax: 631-242-6900

For Smart Fabrication™ Quotes:

Email: smartfab@advancetabco.com or Fax: 631-586-2933