

SMART TABLE MODIFICATIONS

SIZE MODIFICATIONS

- ___ **TA-33** Special Working Height
- ___ **TA-59** 36" Wide Equipment Stand
- ___ **TA-6** Extra Length for Standard Tables over 12'
(Tables Over 14' Require Field Joint TA-57)
- ___ **TA-61** Special Modification Charge (1 Charge Per Table)
- ___ **TA-65** Enclosed Base Units Over 12' (Open Base Table)
- ___ **TA-66** Enclosed Base Units Over 12' (Sliding Door Units)
- ___ **TA-67** Enclosed Base Units Over 12' Hinged Door Units)
- ___ **TA-78** Additional Lin. Ft. Past 12' For Table Mt. Shelf
(For ODS, OTS, TS & DS Shelving only)
- ___ **TA-79** Flour Trough (Factory installation only)
- ___ **TA-105** Modify Enclosed Base Table with Drawers to 24" W
- ___ **TA-110** Modify Enclosed Base Table with Drawers to 36" W

TOP MODIFICATIONS

- ___ **TA-1** Notch Backsplash For Roll Up Door with Pass-Thru
- ___ **TA-3** Stainless Steel Hat Channel & Gusset Upgrade
- ___ **TA-7** 10" Rear Splash
- ___ **TA-8** Column Notch in Rear Splash (Includes Splash)
- ___ **TA-10** 5" Partial Back Splash
- ___ **TA-12** Countertop Edge
- ___ **TA-22** Square Edge Table
- ___ **TA-28** Cut-Out For Cold Well
- ___ **TA-30** 1-1/2" Side Splash
- ___ **TA-30A** 1-1/2" Turn Up For Tables Tops
- ___ **TA-31** 5" Side Splash
- ___ **TA-32** 10" Side Splash
- ___ **TA-34** Top Cut-Out
- ___ **TA-35** Splash Cut-Out
- ___ **TA-56** 5" NSF Partition
- ___ **TA-56A** 18" NSF Partition
- ___ **TA-57** Prepare Welded Field Joint (Welded in field by others)
- ___ **TA-57A** Bolted Field Joint (Bolted in field by others)
- ___ **TA-58** Stepdown to 24" Working Height



TA-58 Shown

- ___ **TA-62** Duplex Electrical Outlet (Under Flat Top)
- ___ **TA-62A** Duplex Electrical Outlet (in VKS Rear Splash)
- ___ **TA-62B** Duplex Electrical Outlet (in KSS Rear Splash. Includes 2" Return)
- ___ **TA-62C** Duplex Electrical Outlet GFI (Specify Location)
- ___ **TA-62D** Doghouse Electrical Outlet Box (Includes Duplex Outlet)
- ___ **TA-64** Urn Trough (Factory installation only)

- ___ **TA-75** Mitered Edge
- ___ **TA-76** Paint on Sound Deadening
- ___ **TA-82** Scrap Chute (6" dia. opening)
- ___ **TA-84** Simple Pass-Thru



TA-84 Shown

- ___ **TA-87** Enclosed Rear Splash
- ___ **TA-91** Poly Retaining Clips Includes TA-22
- ___ **TA-93** Wall Brackets (Includes 2. For 5" & 10 1/2" splash only)
- ___ **TA-96A** Can Opener Provision for openers w/ Bolt-on Base
(Customer to provide location)
- ___ **TA-96B** Can Opener Surface Mount Provision w/4" S/S Tube
for Openers w/o Base (Customer to provide location)
- ___ **TA-96C** Can Opener Spacer Plate Provision for Use on
Tables with Countertop Edge & Can Opener Base
Customer to provide location)
- ___ **TA-100** Bull Nose All Sides of Worktable
- ___ **TA-100A** Bull Nose All Sides of Shelf
- ___ **TA-101** Rear Tray Lock
- ___ **TA-106** Mirror HI-LITE Edge
- ___ **TA-108** 2" Hole with Grommet for Appliance Cord
(Specify Hole Location)
- ___ **TA-112** Hubble Outlet
- ___ **TA-113** Notch Top for Buyout Unit

BASE MODIFICATIONS

- ___ **TA-4** Removable Access Panel
- ___ **TA-5** Curb Mounting Provision
- ___ **TA-13** Pad Lock Hasp
- ___ **TA-15** Provision for Built In Drawer Warmer
- ___ **TA-23** Welded Set-Up Table/Crating
- ___ **TA-24** Shell Crating
- ___ **TA-27** Control Panel (Must add TA-34A or TA-34B)
- ___ **TA-36A** Sliding/Hinge Stainless Steel Doors
- ___ **TA-36B** Two 1/2 Height Stainless Steel Hinge Doors
- ___ **TA-37** Stainless Enclosed Base
- ___ **TA-39** 24" Louvered Hinged Doors



TA-39 Shown

- ___ **TA-40** Remove Undershef in Cabinet Base For Slide in Buyout
- ___ **TA-42** Interior Partition (2.5"x30")
- ___ **TA-43** Filler Panel (3"x30" with Flanged Feet)



Customer Service Available To Assist You 1-800-645-3166 8:30 am - 8:00 pm E.S.T.

Email Orders To: customer@advancetabco.com. For Smart Fabrication™ Quotes, Email To: smartfab@advancetabco.com or Fax To: 631-586-2933

NEW YORK
Fax: (631) 242-6900

GEORGIA
Fax: (770) 775-5625

TEXAS
Fax: (972) 932-4795

NEVADA
Fax: (775) 972-1578

SMART TABLE MODIFICATIONS

- ___ **TA-44** K.D. Aluminum Pan Rack Slides (6 slides. Table min. lgth. 3 ft.)
- ___ **TA-45** K.D. Aluminum Glass Rack Slides (3 slides. Table min. lgth. 3 feet)
- ___ **TA-46** Door Locks
- ___ **TA-48** 12"x12" Cut-Out in Back Panel or Undershef for Plumbing
- ___ **TA-55** Remove Back Panel (on Enclosed Base)
- ___ **TA-70** S/S Tubular Tray Divider (12" sections)
- ___ **TA-73** Tubular Tray Slide w/Dropdown
(Stationary Tray Slide Available. Factory installation only)
- ___ **TA-74** Solid Tray Slide
- ___ **TA-91** Poly Retaining Clips **Includes TA-22** (S/S top table)
- ___ **TA-92** 12" Apron (in front of sink)
- ___ **TA-92A** 17" Stainless Steel Apron t Cover Sink Bowls and Support Lever Drain Handles
- ___ **TA-109** Rear Flush Finished Inset Panel



TA-109 Shown

- ___ **TA-116** Adjustable Enclosed Base Cabinet Mid Shelf
Add to price of Enclosed Base Table with Fixed Mid Shelf **(M)** Shelves over 36" in length require multiple sections with center partition.

SINK MODIFICATIONS

- ___ **TA-107** Vacuum Breaker Holes on Tables
(Includes Backsplash with 2" Return)

UNDERSHELF MODIFICATIONS

- ___ **TA-9** 1-1/2" Turn-Up for Undershelves
- ___ **TA-48** 12"x12" Cut-Out in Back Panel or Undershef for Plumbing
- ___ **TA-94** Upgrade 16 Ga. 304 S/S Undershef
- ___ **TA-366** Reinforced Understructure For Undershelves

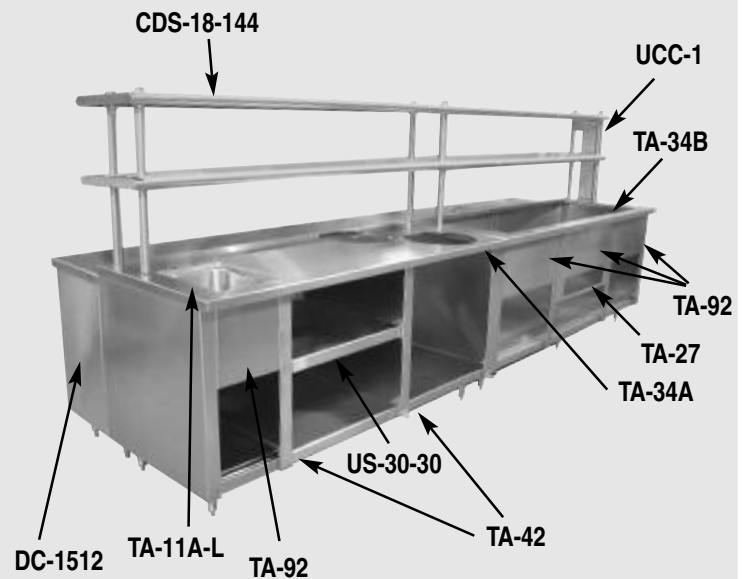
OVERSHELF MODIFICATIONS

- ___ **TA-9A** 1" Turn-Up for all Table Mounted Shelves
- ___ **TA-47** Shelf Mounting Bracket for Existing Table
- ___ **TA-49** Wall Shelf 2" offset
- ___ **TA-60** Special Sizing Charge for Shelves
- ___ **TA-62** Duplex Electrical Outlet (Under Flat Top)
- ___ **TA-62D** Doghouse Electrical Outlet Box (Includes Duplex Outlet)
- ___ **TA-71** Heat Lamp Mounting Provision
- ___ **TA-77** Check Minder Shelf Provision (Factory installation only)
- ___ **TA-99** 16 Ga. S/S 304 Upgrade for Wall and Over Shelves
- ___ **TA-102** 24" x 24" Extension for Microwave or Computer Shelf
(Add to OTS and ODS Shelves. See page 45)
- ___ **TA-103** 24" Wide PT Shelf (Mid mount only. PT Series Shelf, see pg. 47. Add to 18" Wide Shelf)
- ___ **TA-104** Additional Length Over 12' (Add to 18" Shelf)
(CU & CDS Shelving Only. Max. Lgth. is 14' as Single Piece)

LEG MODIFICATIONS

- ___ **TA-16** Galvanized Leg with Plastic Bullet Foot
- ___ **TA-19** Flanged Stainless Steel Bullet Feet
- ___ **TA-20** Stainless Steel Leg with S/S Bullet Foot
- ___ **TA-21** Stainless Steel Bullet Foot
- ___ **TA-95** Upgrade 16 Ga. 304 S/S Legs Only

MODIFIED EB-SS-3012

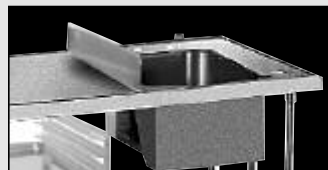


Duplex Electrical Outlets
TA-62
TA-62A
TA-62B
TA-62C

Doghouse Duplex Electrical Outlet
TA-62D



TA-77
Check Minder Shelf Provision



TA-56
5" NSF Partition
TA-56A
19" NSF Partition
TA-92 \$120 lin. ft.
12" Apron



TA-75
Mitered Edge



TA-112
Hubble Outlet

TOP ACCESSORIES

- ___ TA-29 Rear Splash Capping Strip
- ___ TA-41 Poly-Vance 5/8" Cutting Board
- ___ TA-521 Drop-In urn Trough 1'
- ___ TA-522 Drop-In urn Trough 2'
- ___ TA-523 Drop-In urn Trough 3'
- ___ TA-524 Drop-In urn Trough 4'
- ___ TA-812 2' Stainless Steel Cutting Surface
- ___ TA-813 3' Stainless Steel Cutting Surface
- ___ TA-814 4' Stainless Steel Cutting Surface
- ___ TA-815 5' Stainless Steel Cutting Surface
- ___ TA-816 6' Stainless Steel Cutting Surface
- ___ TA-817 7' Stainless Steel Cutting Surface

BASE ACCESSORIES

- ___ TA-54 Removable Kick Plate
- ___ TA-63 Removable Shelving (In addition to standard shelf)

OVERSHELF ACCESSORIES

- ___ TA-83 Spice Bins

POTRACK ACCESSORIES

- ___ TA-86 Stainless Steel Pot Hooks
- ___ TA-89 Double Sided Plated Pot Hooks (Package of 4)
- ___ TA-89A Single Sided Plated Pot Hooks (Package of 4)
- ___ TA-98 Stainless Steel Flat Bar in lieu of Chain

TOP ACCESSORIES

- ___ TA-84A Knife Rack for Rolled Rim Tables
- ___ TA-84B Knife Rack for Poly Top Tables
- ___ TA-84C Knife Rack for Square Edge Tables

DRAWER ACCESSORIES

- ___ TA-90 Drawer Adapter (Non-catalog tables. Specify table width)
- ___ TA-93 Wall Clips (for 5" & 10 1/2" splash only)

LEG ACCESSORIES

- ___ TA-72 Leg to Wall Brace (Set per table)

SMART TABLE ACCESSORIES

Casters

(125 lbs. Load Capacity Per Caster)



TA-25

- ___ TA-25 Set of 4
- ___ TA-25A Set of 6
- Add price to Above for:**
- ___ TA-25B Brakes on All Casters
- ___ TA-25C Upgrade to Caster with Heavy Duty Urethane Wheels

Heavy Duty Casters for Equipment Stands



TA-255

(1000 lbs. Distributed Weight)

- ___ TA-255 Super Heavy Duty set of 4
- ___ TA-256 Super Heavy Duty set of 6

ALL CASTERS
SHIP VIA UPS!

REAR SPLASH CAPPING STRIP



16 Ga. "304" Stainless Steel
Adhesive Tape Backing

- ___ TA-29

BUMPER GUARDS



16 ga., 304 Stainless Steel. Bracket Included

- ___ BG-48 2" x 4" x 48"
- ___ BG-60 2" x 4" x 60"

CORNER GUARDS



16 Ga. "304" Stainless Steel
Adhesive Tape Backing

- ___ CG-48 2" x 2" x 48"
- ___ CG-60 2" x 2" x 60"

CHECK MINDER

Check Minder holds checks with ease.

Floating ball mechanism quickly grabs checks and holds them in place.

Mounts to existing wall or shelf.



Ft.	MODEL	Approx. Wt.
2'	___ CM-24	1.5 lbs.
3'	___ CM-36	2.25 lbs.
4'	___ CM-48	3 lbs.



Customer Service Available To Assist You **1-800-645-3166** 8:30 am - 8:00 pm E.S.T.

Email Orders To: customer@advancetabco.com. For Smart Fabrication™ Quotes, Email To: smartfab@advancetabco.com or Fax To: 631-586-2933

NEW YORK
Fax: (631) 242-6900

GEORGIA
Fax: (770) 775-5625

TEXAS
Fax: (972) 932-4795

NEVADA
Fax: (775) 972-1578