



# Three Compartment - Double Drainboard

## Stainless Steel Compartment Sinks



Use your smart phone to scan the above QR code to visit our website:  
[www.bk-resources.com](http://www.bk-resources.com)

### Certifications:



### Features:

- 1/4" Pitched Drainboards To Ensure Proper Drainage
- 1 1/2" Rounded Front and Side Edges
- Accommodates 8" On Center Faucets
- Drains Included
- 9" Backsplash

### Material:

- T-304 18 ga. Stainless Steel Deck & Bowls
- 1 5/8" Galvanized Legs
- Adjustable High Impact Corrosion Resistant Feet

### Options:

- Pre-Rinse Units & Faucets
- Lever Drains
- Upgraded Bullet Feet
- Upgrade to S/S Legs & Bracing

| Part Number       | Unit Size (l x w)           | Bowl Dim. (l x w x d) | Sets of Faucet Holes | Drainboard Size |
|-------------------|-----------------------------|-----------------------|----------------------|-----------------|
| BKS-3-15-14-15T   | 75" x 20 <sup>13/16"</sup>  | 15" x 15" x 14"       | 1                    | (2) - 15"       |
| BKS-3-1620-12-18T | 84" x 25 <sup>13/16"</sup>  | 16" x 20" x 12"       | 1                    | (2) - 18"       |
| BKS-3-1620-14-18T | 84" x 25 <sup>13/16"</sup>  | 16" x 20" x 14"       | 1                    | (2) - 18"       |
| BKS-3-18-12-18T   | 90" x 23 <sup>13/16"</sup>  | 18" x 18" x 12"       | 1                    | (2) - 18"       |
| BKS-3-18-14-18T   | 90" x 23 <sup>13/16"</sup>  | 18" x 18" x 14"       | 1                    | (2) - 18"       |
| BKS-3-1824-14-24T | 102" x 29 <sup>13/16"</sup> | 18" x 24" x 14"       | 1                    | (2) - 24"       |
| BKS-3-1824-14-18T | 90" x 29 <sup>13/16"</sup>  | 18" x 24" x 14"       | 1                    | (2) - 18"       |
| BKS-3-20-12-18T   | 96" x 25 <sup>13/16"</sup>  | 20" x 20" x 12"       | 1                    | (2) - 18"       |
| BKS-3-20-14-24T   | 108" x 25 <sup>13/16"</sup> | 20" x 20" x 14"       | 1                    | (2) - 24"       |
| BKS-3-2030-12-20T | 100" x 35 <sup>13/16"</sup> | 20" x 30" x 12"       | 1                    | (2) - 20"       |
| BKS-3-2030-14-24T | 108" x 35 <sup>13/16"</sup> | 20" x 30" x 14"       | 1                    | (2) - 24"       |
| BKS-3-24-14-24T   | 120" x 29 <sup>13/16"</sup> | 24" x 24" x 14"       | 2                    | (2) - 24"       |

PRODUCT DATA SHEET

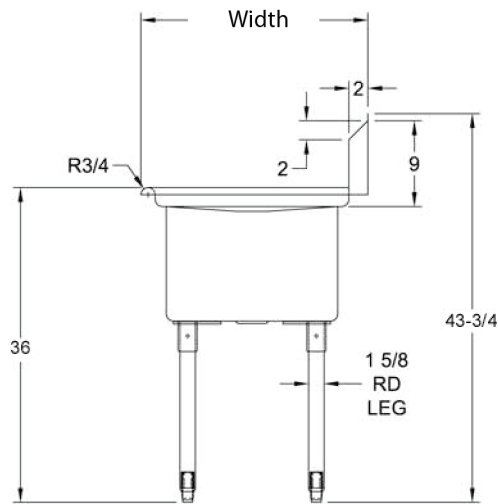
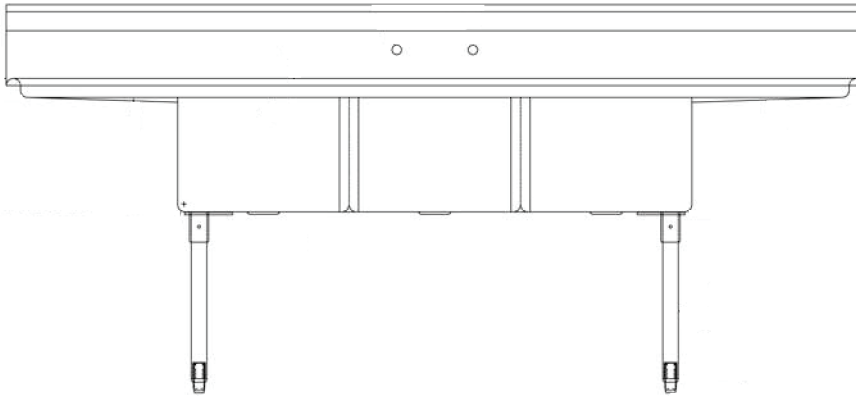
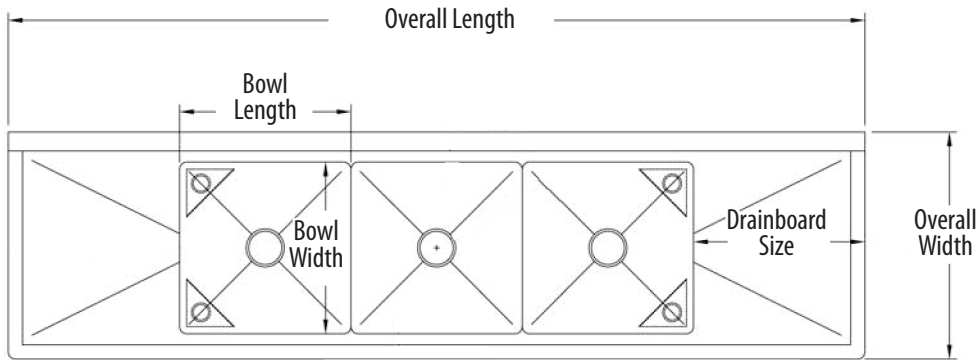
BK RESOURCES





# Three Compartment - Double Drainboard

Stainless Steel Compartment Sinks



PRODUCT DATA SHEET

BK RESOURCES

