

**PROJECT NAME:** \_\_\_\_\_

**LOCATION:** \_\_\_\_\_

**SPECIFIER ITEM NO.** \_\_\_\_\_ **QTY:** \_\_\_\_\_

**ENCORE PART NO.** \_\_\_\_\_

Encore<sup>®</sup> Wall Mount Bed Pan Cleaner  
**K79-1130-VB**



Solid heavy duty cast body is specification and commercial quality.

**Commercial Quality Features**

- Polished chrome plated brass
- In-line vacuum breaker
- Cross handle
- 48" vinyl hose
- Self-closing spray valve with angled spray

**SANIGUARD<sup>®</sup> Product Protection**

- Permanently incorporated on all touch points of Encore plumbing fixtures
- Inorganic, silver ion technology inhibits growth of common bacteria, yeasts, mold and fungi, minimizes cross-contamination

**SPECIFICATIONS:**

Wall Mount Bed Pan Cleaner to be Encore K79-1130-VB. Faucet body to be polished chrome plated brass with 1/4-turn compression valve cartridges. Unit to be furnished with keyed and capped stop valve, control valve, in-line vacuum breaker, hook, 48" vinyl hose, grip, self-closing spray valve and angled spray. Cross handle and spray valve handle to be incorporated with SANIGUARD<sup>®</sup> product protection.

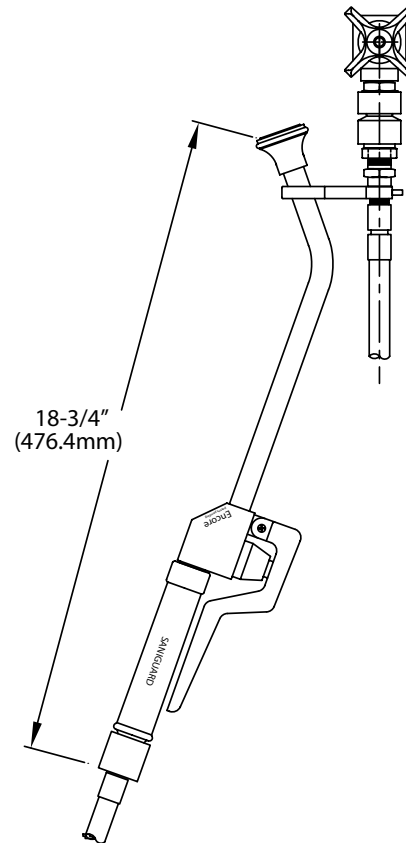
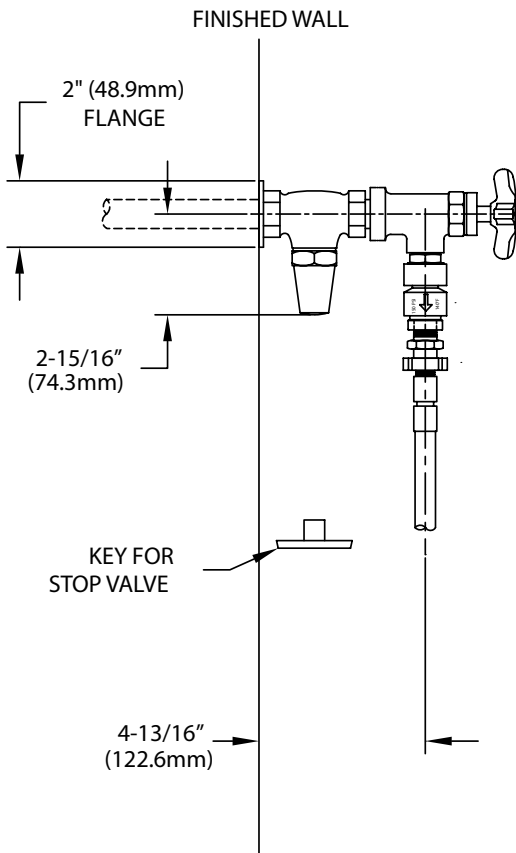
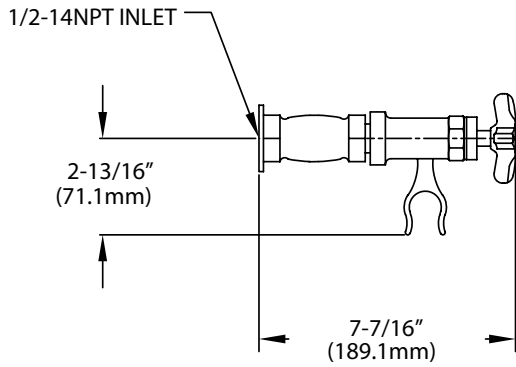


# K79-1130-VB

## Wall Mount Bed Pan Cleaner

PREMIUM PLUMBING PRODUCTS  
**Encore**<sup>®</sup>

1890 Swarthmore Avenue, PO Box 2020, Lakewood, NJ 08701  
Phone: 800-526-3694, 732-363-4700, Fax: 732-364-8110  
[www.encoreplumbing.com](http://www.encoreplumbing.com) • [www.componenthardware.com](http://www.componenthardware.com)



1/2" NPSM Female Inlets  
Operating Temperature: 40 - 180°F (5 - 83°C)  
Operating Pressure: 15 - 125psi

Note: 4-13/16" (123mm) clearance from wall to center of hose

Approximate shipping weight - 5 lbs  
Warranty - 2 years parts

Dimensions shown in inches (mm) are for reference only and are subject to change.