

TOP-LINE®

1890 Swarthmore Avenue, PO Box 2020, Lakewood, NJ 08701
Phone: 800-526-3694, 732-363-4700, Fax: 732-364-8110
www.encoreplumbing.com • www.componenthardware.com

PROJECT NAME: _____

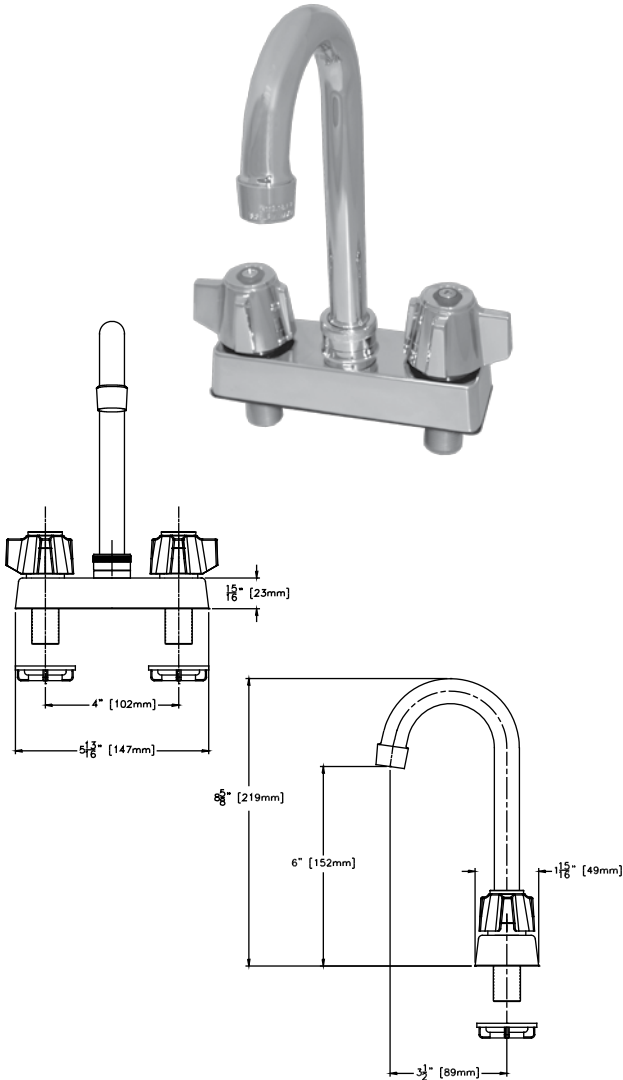
LOCATION: _____

SPECIFIER ITEM NO. _____ QTY: _____

TOP-LINE PART NO. _____

TOP-LINE® Economy 4" Deck Mount Faucet with Swivel Gooseneck Spout

KHS11-4000



Dimensions shown in inches (mm) are for reference only
and are subject to change.

1/2" NPSM Male Inlets with
1/4" NPT Compression Fittings
Operating Temperature: 40-160°F (5-71°C)
Operating Pressure: 20-125psi

Approximate shipping weight - 2 lbs
Warranty - 2 years parts

Value priced faucets for hand sinks

Commercial Quality Features

- Leak proof double O-ring spout design
- Gaskets and seals rated to 180°F

SPECIFICATIONS:

Deck Mount Faucet to be Top-Line® KHS11-4000.

Faucet to have polished chrome plated plastic body with polished chrome plated escutcheon and knob handles. Supply inlets to be 4" (102mm) on center. Valve to be 1/4 turn compression cartridges. Spout to be double O-ring 3" gooseneck design for leakproof seal. 2.0gpm aerator with full flow stream bubbler standard. Chrome plated handles have color coded temperature indexes to meet international standards. 1" (25mm) long over-molded aluminum shanks with plastic gasket and locking nut included.

COMPLIES WITH:
THE FEDERAL "REDUCTION OF LEAD
IN DRINKING WATER ACT" -
2011 - US SENATE BILL NO. S.3874

