

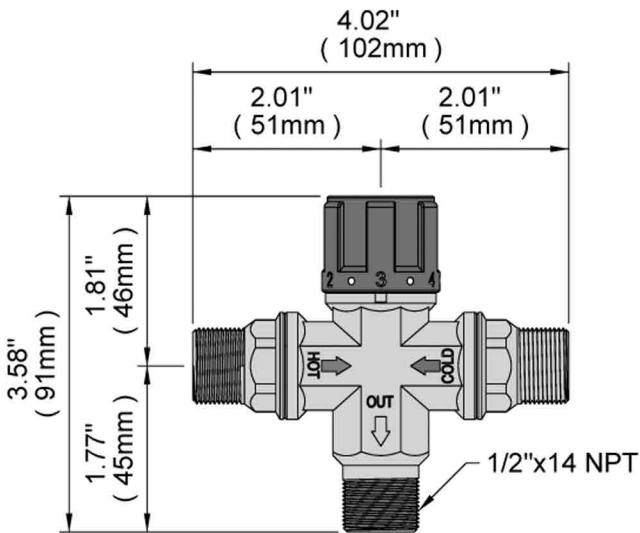
PROJECT NAME: _____

LOCATION: _____

SPECIFIER ITEM NO. _____ QTY: _____

ENCORE PART NO. _____

Encore[®] Thermostatic Mixing Valve KL19-X026



Dimensions shown in inches (mm) are for reference only and are subject to change.

(3) 1/2"X14 NPT Thread Connections

Operating Pressure: 10 - 125psi

Temperature Setting Range: 68°F - 120°F (20°C - 49°C)

Approximate shipping weight - 1 lbs

Warranty - 2 years parts

Adjustable thermostatic mixing controls precise temperature

Commercial Quality Features

- No-lead brass valve body
- Stainless steel spring
- Integral hot and cold check valves
- Cleanable filter

COMPLIES WITH:
THE FEDERAL "REDUCTION OF LEAD
IN DRINKING WATER ACT" -
2011 - US SENATE BILL NO. S.3874
NSF/ANSI 61/9, ANNEX G

