

PROJECT NAME: _____

LOCATION: _____

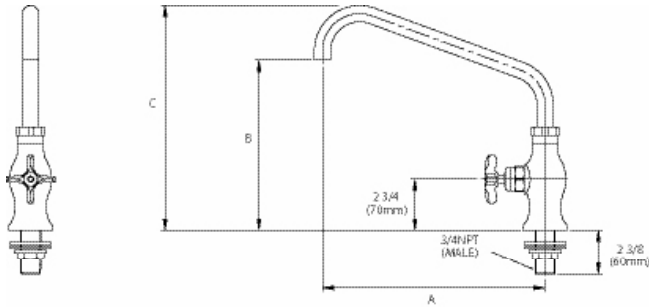
SPECIFIER ITEM NO. _____ **QTY:** _____

ENCORE PART NO. _____

Encore[®] Deck Mount Kettle Faucet with Tubular Swing Spout and Cross Handle

KL33-901x Series

- KL33-9010 10" spout, compression valves
- KL33-9012 12" spout, compression valves
- KL33-9018 18" spout, compression valves



Dimensions shown in inches (mm) are for reference only and are subject to change.

3/4" NPS Male Inlet
 Operating Temperature: 40 - 180°F (5 - 83°C)
 Operating Pressure: 20 - 125psi

Approximate shipping weight - 6 lbs
 Warranty - 2 years parts

Solid heavy duty cast body is specification and commercial quality.

Commercial Quality Features

- Tubular swing spout design
- Cross handle design
- Built-in check valves to prevent cross-flow and back-flow
- Leak proof double O-ring spout design
- 1" diameter spout offers unrestricted water flow for quick filling of pots and kettles

SANIGUARD[®] Product Protection

- Permanently incorporated on all touch points of Encore plumbing fixtures
- Inorganic, silver ion technology inhibits growth of common bacteria, yeasts, mold and fungi, minimizes cross-contamination

SPECIFICATIONS:

Deck Mount Kettle Faucet to be Encore KL33 Series in the following configuration:

- _____ KL33-9010 10" spout, compression valves
- _____ KL33-9012 12" spout, compression valves
- _____ KL33-9018 18" spout, compression valves

Faucet body to be constructed of polished chrome plated brass with total lead content less than 0.25% by weighted average. Cross handle to be incorporated with SANIGUARD treatment. Color coded temperature indexes shall meet international standards. Valve to be 1/4-turn with integral check valve to prevent cross-flow and back-flow. Spout to be tubular swing style with leak proof double O-ring seal design and full flow Quik-Fil™ 1" dia. opening for flow rate of 3.5gpm @ 60psi.

Model No.	A	B	C
KL33-9010	10" (254mm)	8-3/8" (213mm)	11-3/8" (289mm)
KL33-9012	12" (305mm)	9-1/8" (232mm)	12-1/8" (308mm)
KL33-9018	18" (457mm)	11-3/8" (289mm)	14-3/8" (365mm)



COMPLIES WITH:
 ASME A112.18.1-2005
 CSA B125.1-05
 NSF/ANSI 61/9, ANNEX G
 SECTION 116875 OF THE
 CALIFORNIA HEALTH & SAFETY CODE
 (COMMONLY KNOWN AS AB1953)
 VERMONT ACT 193
 UNIFORM PLUMBING CODE

