



18600PDL

Self-Contained Refrigerated Dual Rail Prep Table with Flush Mount LiquiTec® Raised Rails

Project _____
 Item _____
 Quantity _____
 CSI Section 11400
 Approved _____
 Date _____

18600PDL: Self-Contained Refrigerated Dual Rail Prep Table with Flush Mount LiquiTec® Raised Rails

Models

- 18648PDL - 48" Dual Rail Prep Table with (4) 12"X20" pan openings
- 18672PDL - 72" Dual Rail Prep Table with (6) 12"X20" pan openings



18648PDL

Standard Features

- Upper and lower rails are mechanically cooled utilizing LiquiTec® technology with die stamped 12"X20" openings
- Top is constructed of 18-gauge stainless steel
- 22-gauge stainless steel ends are standard
- Pans and adapter bars by others
- 17" polyethylene cutting board is standard
- Flush mount NSF-7 certified pans
- High density environmentally friendly, Kyoto Protocol Compliant, Non ODP (Ozone Depletion Potential), Non GWP (Global Warming Potential) polyurethane foam throughout unit
- Dart style quick change gaskets
- Stainless steel removable hinged covers
- On/off switch is located behind the louver
- 1.50" diameter hole in louver for easy access to rail on/off switch
- 8' long electrical cord
- Environmentally friendly HFC-404A refrigerant
- One year parts and labor standard warranty

Options & Accessories

- Stainless steel back
- Laminate facing (full front), end and/or back
- Tray racks
- Remote refrigeration
- Variable cutting board types and sizes
- 6" (15cm) legs or casters
- Cheese grates with removable catch pans
- 27" wide refrigerated drawers (2) high, holds 6" deep pans
- Door/drawer locks
- Adapter bars and pans
- 220V/50 cycle electrical system
- Additional shelf

Specifications

Exterior Top: Constructed of one-piece 18-gauge stainless steel, with integral 2.12" (5cm) high square nosing at the front. Top has two mechanically cooled LiquiTec® refrigerated raised rails at the rear with openings to accommodate pans (provided by others). Rail interiors are 22-gauge stainless steel. Raised rail openings have 18-gauge stainless steel hinged removable lids. Unit is equipped with separate expansion valve and on/off switch for refrigerated rails. Temperature in top openings maintains 33°F (1°C) to 41°F (5°C) with pans flush mounted at 86°F (29.7°C) ambient room temperature, meeting NSF 7 requirements.

Exterior Back, Bottom and Ends: Unfinished galvanized steel back and bottom. Exterior ends are finished with 22-gauge stainless steel.

Base Interior: Stainless steel back and bottom. Base interior sides and door frames are thermoformed ABS plastic. Each interior door section has (1) 25" (64cm) deep removable epoxy coated wire shelf. Base is insulated with 2" (5cm) high density environmentally friendly, Kyoto Protocol Compliant, Non ODP (Ozone Depletion Potential), Non GWP (Global

Warming Potential) foamed in place polyurethane. End of base has a machine compartment with condensing units installed.

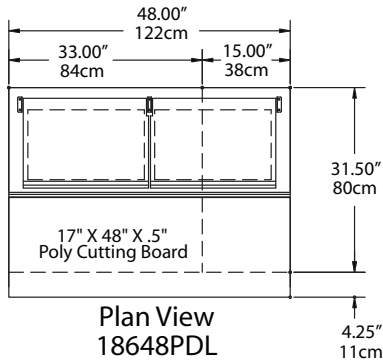
Door(s): 22-gauge stainless steel exterior front, with a thermoformed ABS plastic interior liner.

Refrigeration System: HFC-404A refrigerant. Cabinet has (1) blower coil assembly with expansion valve on 48" and 72" models. Refrigerated base maintains temperature of 36°F (2°C) to 40°F (4°C). On/off switches for rail and base are located behind the louvered panel. A 1.50" diameter hole is on the louver for easy access to rail on/off switch

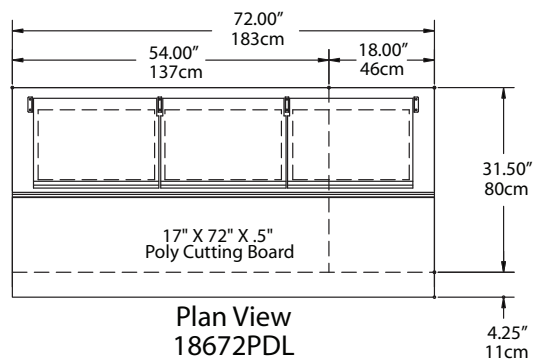
Electrical Connections: 115 volt, 60 Hertz, single phase. Unit is wired with 3-wire, grounded, maximum 8' (2.4m) cord and plug.

Casters: Equipment is mounted on 4" (10cm) diameter casters.

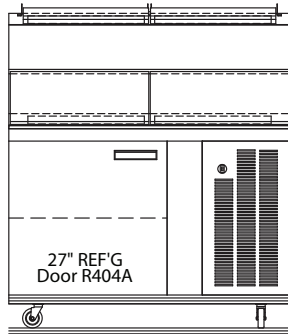




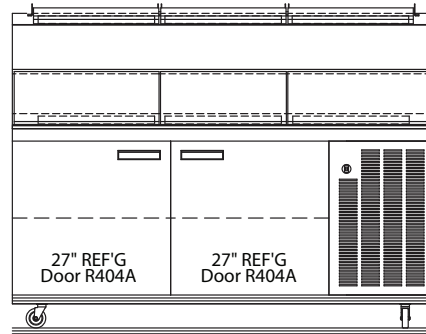
Plan View
18648PDL



Plan View
18672PDL

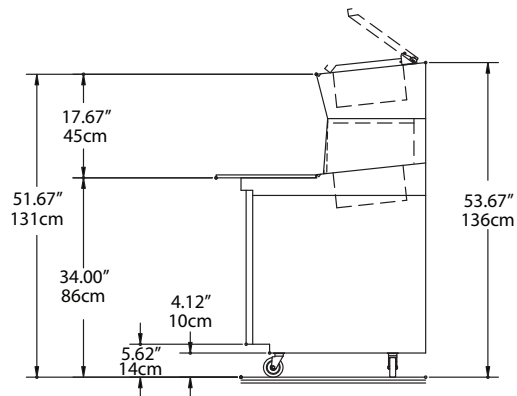


Elevation View
18648PDL



Elevation View
18672PDL

NOTE: Pans and adapter bars are not included.



End View
18648PDL & 18672PDL

Specifications

Model	1/3 Pan Capacity	# Of Shelves	Volume Ft ³	Shelf Area Ft ²	H.P.	V/Hz/Ph	Amps	Nema Plug	Ship Weight
18648PDL	12	1	10.23	3.95	1/5, 1/3	115/60/1	10.1	5-20P	691lbs/313kg
18672PDL	18	2	18.10	7.90	1/5, 1/2	115/60/1	12.7	5-20P	873lbs/396kg

Delfield reserves the right to make changes to the design or specifications without prior notice.