



# Electrolux

## Libero Line Series Mini Combi Oven

ITEM # \_\_\_\_\_  
 MODEL # \_\_\_\_\_  
 NAME # \_\_\_\_\_  
 SIS # \_\_\_\_\_  
 AIA # \_\_\_\_\_



Electrolux



Libero Line Series  
Mini Combi Oven

260914 (OTS100)

Libero Mini Combi Oven -  
110V/1ph/60Hz

### Short Form Specification

**Item No.** \_\_\_\_\_

Libero Mini Combi Oven shall feature: steam, convection and mixed cooking modes. Accommodates half sized steam pans in 5 rack positions. Cord and plug included. No water connection required. Self-contained water tank is an optional accessory.

### Main Features

- Steam, Bake and cook with a combination of both functions in a countertop platform.
- Stainless steel oven cavity with rounded corners.
- Self contained with built-in fresh water/condense container and requires no water or drain connections.
- Delicate foods, such as fish, cook in the gentle heat of low temperature steam, retaining the full flavor and texture.
- Reheat chilled food in low temperature steam, without it drying out and losing its "freshness".
- Cooks vegetables in maximum steam, without loss of vitamins or flavor.
- Fan assisted air circulation enables convection cooking at a lower temperature with even results over the three oven shelves.
- Combining steam and convection heating produces a moist heat that reduces shrinkage whilst still browning meat.
- Supplied with the following:
  - 1/2GN accessories: 3each aluminum baking plates, 2 each stainless steel perforated containers, 2 each stainless steel plain containers and 3 each stainless steel wire grids.

### Construction

- Stainless steel oven cavity with rounded corners.

### Included Accessories

- 1 of Stainless steel 1/2 GN container - PNC 329040 2" (50 mm) height
- 1 of Perforated container PNC 921180
- 1 of Stainless Steel 1/2 GN container - PNC 921181 1"
- 1 of Wire grid PNC 921182
- 1 of Baking Plate PNC 921183

### Optional Accessories

- Stainless steel 1/2 GN container - 2" (50 mm) height PNC 329040
- External water tank for Mini Combi PNC 921016
- Perforated container PNC 921180
- Stainless Steel 1/2 GN container - 1" PNC 921181
- Wire grid PNC 921182
- Baking Plate PNC 921183
- External Water Tank Kit, for Libero Mini Combi PNC 921184



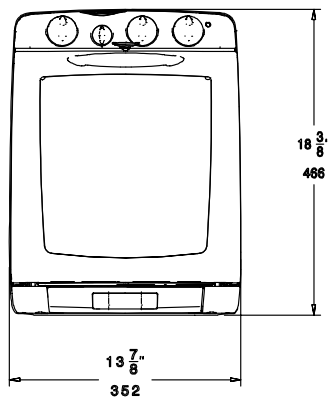
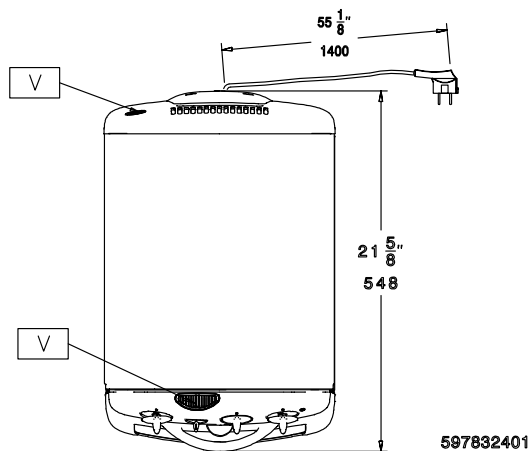
APPROVAL: \_\_\_\_\_

Electrolux Professional, Inc.

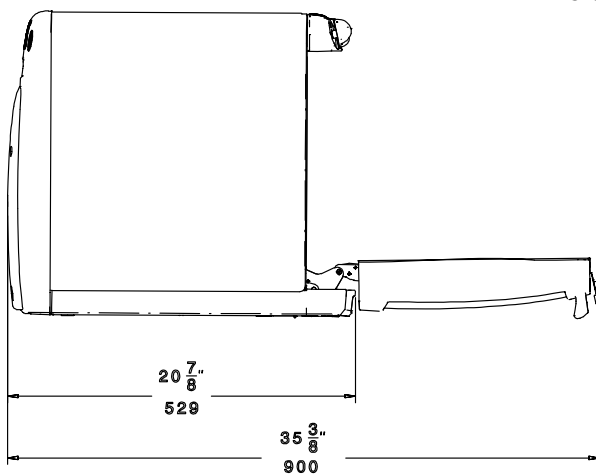
www.electroluxusa.com/professional

10200 David Taylor Drive, Charlotte, NC 28262 • Telephone Number: 866-449-4200 • Fax Number: 704-547-7401

Libero Line Series  
Mini Combi Oven

**Front**

**Top**


AV = Air vents  
EI = Electrical connection  
EQ = Equipotential screw

**Side**

**Electric**

<b>Supply Voltage:</b>	260914 (OTS100)	110V/1ph/60Hz
<b>Amps:</b>		16 A
<b>Total Watts:</b>		1.76 kW
<b>Plug Type:</b>		NEMA 5-20P
<b>MCA:</b>		16A
<b>Motor electrical power:</b>		0,043 kW

**Key Information:**

<b>External dimensions, Width:</b>	13 7/8" (352 mm)
<b>External dimensions, Depth:</b>	21 9/16" (548 mm)
<b>External dimensions, Height:</b>	18 3/8" (466 mm)
<b>Net weight:</b>	49 lbs (22 kg)
<b>Shipping width:</b>	15 3/4" (400 mm)
<b>Shipping depth:</b>	23 5/8" (600 mm)
<b>Shipping height:</b>	21 1/4" (540 mm)
<b>Shipping weight:</b>	55 lbs (25 kg)
<b>Shipping volume:</b>	4.58 ft <sup>3</sup> (0.13 m <sup>3</sup> )