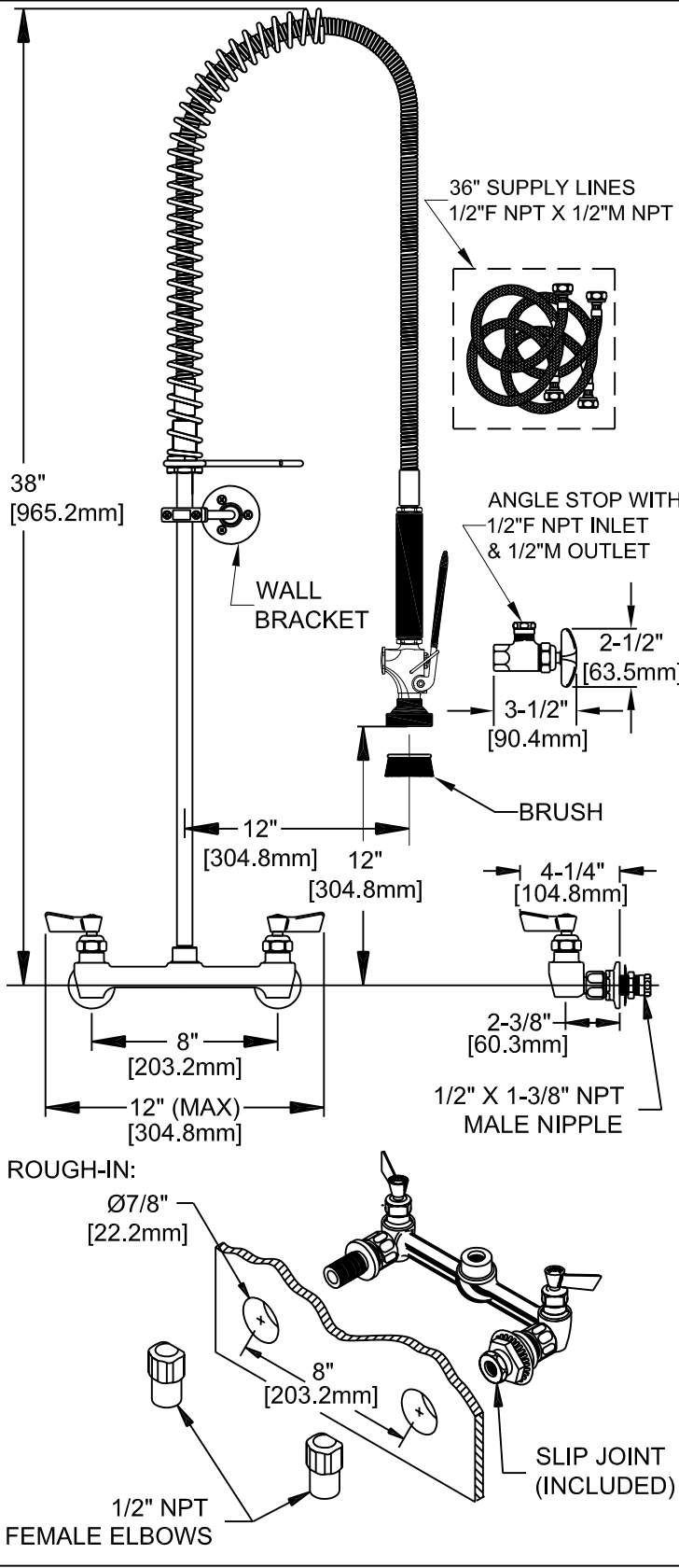


APPLICATION:
 JOB NAME:
 QUANTITY: ITEM NO.:

PRODUCT NAME:
**PRE-RINSE SPRING STYLE
 8" C/C BACKSPASH MOUNT**

■ 80896 SPECIAL CONFIGURATION
 (CHECK BASE MODEL AND OPTIONS)
 ■ 13390 ULT SPRAY VALVE w/WALL BRACKET
 □ 13366 ULT SPRAY VALVE, NO WALL BRACKET



OPTIONS OR MODIFICATIONS:

- SUPPLY LINES (24" OR 36") CIRCLE LENGTH
- ADD-ON FAUCET (6", 8", 10", 12", 14", 16") CIRCLE LGTH
- BACKFLOW PREVENTER
- BRUSH
- ELBOWS
- VANDAL RESISTANT KIT
- HANDLES (CROSS OR WRIST) CIRCLE STYLE
- OTHER QTY: 2, #1790-1 ANGLE STOPS 1/2"

FEATURES:

CONTROL VALVE

- * 8" C/C BACKSPASH MOUNT
- * INTERNAL SPRING LOADED CHECK VALVES
- * SWIVELING SEAT DISKS
- * HOT SIDE STEM - RIGHT HAND
- * COLD SIDE STEM - LEFT HAND
- * STAINLESS STEEL SEATS
- * STAINLESS STEEL SEAT SCREWS
- * STAINLESS STEEL HANDLE SCREWS
- * 1/2" SLIP JOINT KIT

HOSE

- * 36" LENGTH
- * STAINLESS STEEL END FITTINGS
- * STAINLESS STEEL EXTERNAL JACKET
- * 3-PLY FIBER REINFORCED INTERNAL RUBBER HOSE

ULTRA SPRAY VALVE

- * 1.6 GPM @ 80 PSI ENERGY EFFICIENT NOZZLE
- * BRONZE HANDLE - NOT PLASTIC - MEANS FULL "ON"
- * FITS ALL BRANDS

WALL BRACKET

- * ADJUSTS FROM 2" TO 12"

ANGLE STOPS

- * STEM - RIGHT HAND
- * SWIVELING SEAT DISKS
- * CROSS HANDLE TYPE
- * HOT AND COLD INDEX BUTTONS
- * STAINLESS STEEL SEATS
- * STAINLESS STEEL SEAT SCREWS
- * STAINLESS STEEL HANDLE SCREWS

SYSTEM LIMITS

- * 2.65 GPM AT 80 PSI
- * TEMP: 40°F MIN. TO 140°F MAX. STATIC
- * PRESSURE 200 PSI MAX. STATIC
- * SHIPPING WEIGHT: 15 LBS

ANSI/A112.18.1M



FISHER MANUFACTURING COMPANY
 TOLL FREE: 800-421-6162 - FAX: 800-832-8238
 information@fisher-mfg.com - www.fisher-mfg.com