

# DRINK RAIL DRAINERS

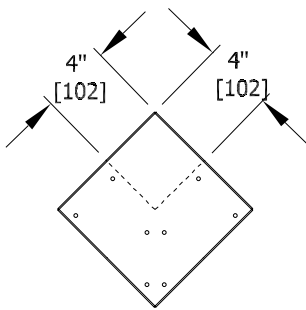
## Perlick Features

- Variety of sizes to fit any bar length
- Stainless steel construction
- Easy to install
- Removable glass racks for easy clean up

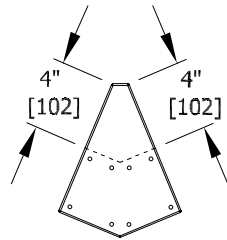
## PART NO.

- DRD12
- DRD18
- DRD24
- DRD30
- DRD36
- DRD42
- DRD48

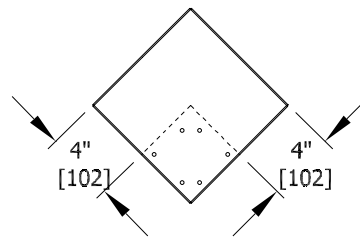
## Drink Rails Inside & Outside, 45° & 90° Corners



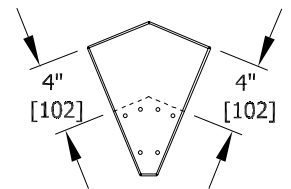
DRD90-I



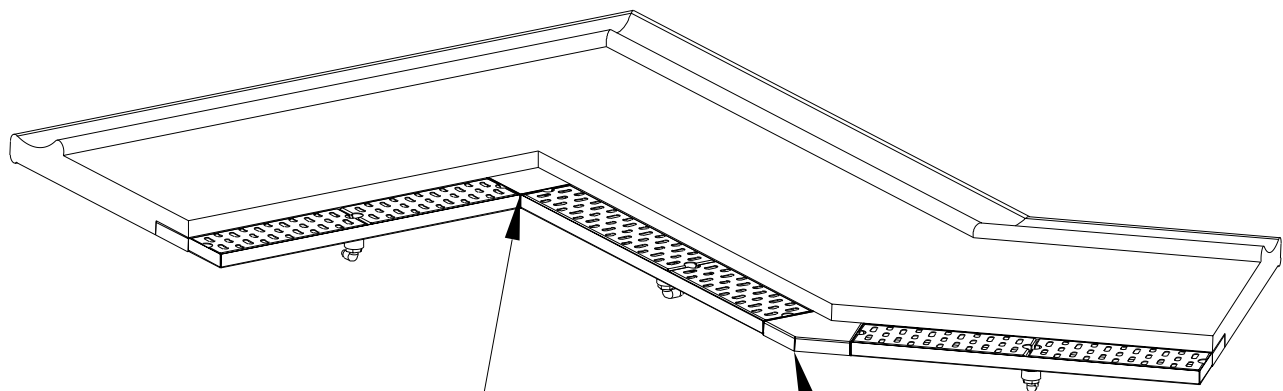
DRD45-I



DRD90-O



DRD45-O



DRD90-I

DRD45-O

Form No.062411  
Rev. 06.24.2011



8300 West Good Hope Road • Milwaukee, WI 53223 • Phone 414.353.7060 • Fax 414.353.7069  
Toll Free 800.558.5592 • E-Mail perlick@perlick.com • www.perlick.com

# Size and Specifications

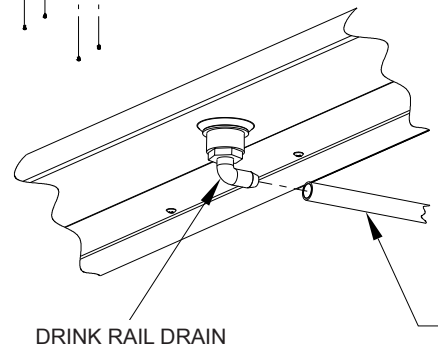
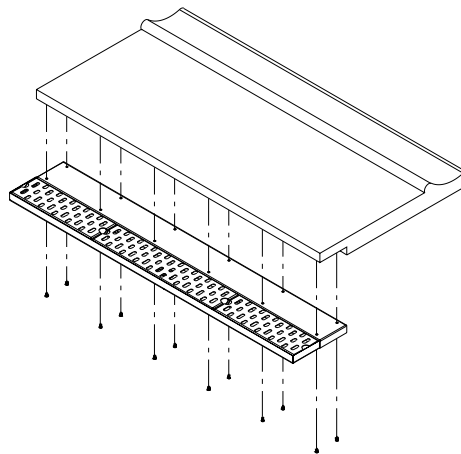
Drink Rail Drainers

Job \_\_\_\_\_  
 Area \_\_\_\_\_  
 Item No. \_\_\_\_\_  
 Model No. \_\_\_\_\_

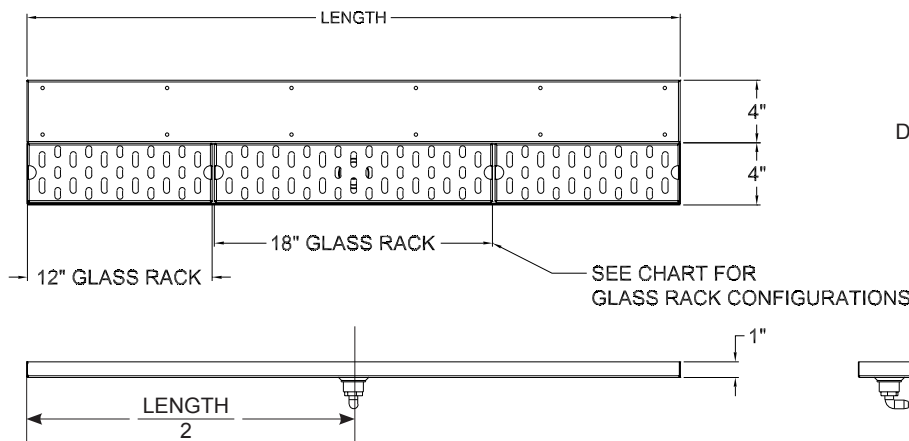
MODEL NOS.		DRD12	DRD18	DRD24	DRD30	DRD36	DRD42	DRD48
DIMENSIONS	LENGTH INS. (mm)	12" (305)	18" (458)	24" (610)	30" (762)	36" (914)	42" (1067)	48" (1219)
	Depth ins. (mm)	4" (102)						
	Height ins. (mm)	1" (25)						
SHIP WT. LB		5	7	9	12	14	16	18
CONSTRUCTION		Stainless steel with polypropylene drain socket and 90° nylon elbow						
SIZES AND NO. OF GLASS RACKS	12" (305mm)	1	0	2	1	0	2	1
	18" (458mm)	0	1	0	1	2	1	2

## INSTALLION

1. Position drink rail in desired location.
2. Use appropriate screws to fasten drink rail to underside of bar top.
3. Connect 1/2" I.D. drain hose to "barbed" elbow fitting.



1/2" I.D.  
HOSE (NOT  
INCLUDED)



Form No.062411  
Rev. 06.24.2011



8300 West Good Hope Road • Milwaukee, WI 53223 • Phone 414.353.7060 • Fax 414.353.7069  
 Toll Free 800.558.5592 • E-Mail perlick@perlick.com • www.perlick.com

Perlick is committed to continuous improvement. Therefore, we reserve the right to change specifications without prior notice