



Outperform every day.™

Project:

Item Number:

Quantity:

## HEAVY-DUTY SLICERS



40903 / 40904



40906

Heavy-Duty Slicers

### DESCRIPTION

Vollrath's five heavy-duty slicers, all with 12" (30.5 cm) blades and a non-stick coating, are designed to meet the challenges of any high-use operation.

### FEATURES

- Exclusive non-stick coating makes for easy clean up after slicing products
- One-piece, light weight, hard-coated anodized aluminum body eliminates food traps
- Sand-molded, anodized aluminum base will never tarnish
- Clearance between the back of the blade and the motor provides access for easy and thorough cleaning
- Receiving tray features raised edges to contain juices which keeps the slicer and work area clean
- Solid aluminum adjustment knob is easy to clean
- Heavy-duty blade guides will not flex, creating straight slices every time
- Precision spacing cam for more accurate thickness cutting
- Built-in easy to use two stone sharpener makes blade sharpening simple and convenient
- Heavy-weight pusher feeds product into the blade for easier cuts and less user fatigue
- Easy-tilt product feeder mechanism makes it easy to clean safely without the product feeder dropping
- Low-friction carriage system provides outstanding smooth glide motion
- Thermal overload protection with manual reset automatically shuts off slicer to protect from electrical damage
- 5 ft. (1.5 m) cord with plug

### Agency Listings



Certified to NSF/ANSI 8-2010

**WARRANTY:** All models shown come with Vollrath's standard warranty against defects in materials and workmanship. For full warranty details, please refer to the Vollrath Equipment and Smallwares Catalog.

### MODELS

- 40903** SLR7012/N Belt Driven (US/Canada)
- 40904** SLR 7712/N Belt Driven with Safe Blade Removal System (US/Canada)
- 40905-QC** SLR7012/N Belt Driven (Quebec)
- 40906** SLR7512/N Gear-Driven (US/Canada)
- 40907** SLR7912/N Automatic Slicer with Safe Blade Removal (US/Canada)
- 40908** SLM0012/N Belt Driven with Maximum Clearance Receiving Tray and Safe Blade Removal (US/Canada)

### FEATURES (CONTINUED)

#### Belt Driven

- Heavy-duty slice adjustment for precise and consistent slice thickness
- Centered blade and gauge plate ensure stability under the toughest conditions

#### Gear Driven

- Direct drive gear transmission provides the power and robustness for high-volume slicing of cheese and meat

#### Maximum Clearance Receiving Tray

- Special clear slice exit design provides unobstructed receiving tray area for easier slicing and cleaning
- Extended 1 1/4" (3.175 cm) maximum slice thickness for greater versatility

#### Automatic Carriage

- Automatic carriage slices approximately 40 slices per minute for maximum operational efficiency
- Intuitive setup includes simple main switch and variable speed control
- Can also be used manually

### MODEL COMPARISON

Feature	40903	40904	40905-QC	40906	40907	40908
Non-Stick Coating	X	X	X	X	X	X
Accommodates Vegetable Chute	X	X	X	X	X	X
Accommodates Frozen Food Blade	X	X	X	X	X	X
Safe Blade Removal System	-	X	-	-	X	X
Gear Drive	-	-	-	X	-	-
Belt Drive	X	X	X	-	X	X
Kickstand	-	-	-	X	X	X
Max Clearance Receiving Tray	-	-	-	-	-	X
Automatic Cartridge	-	-	-	-	X	-

Approvals	Date

Due to continued product improvement, please consult [www.vollrath.com](http://www.vollrath.com) for current product specifications.



Outperform every day.™  
[www.vollrath.com](http://www.vollrath.com)

The Vollrath Company, L.L.C.  
1236 North 18th Street  
Sheboygan, WI 53081-3201 U.S.A.  
Customer Service: 800.628.0830  
Canada Customer Service: 800.695.8560  
Main Fax: 800.752.5620 or 920.459.6573

Technical Services: 800.628.0832  
Technical Services Fax: 920.459.5462

# HEAVY-DUTY SLICERS

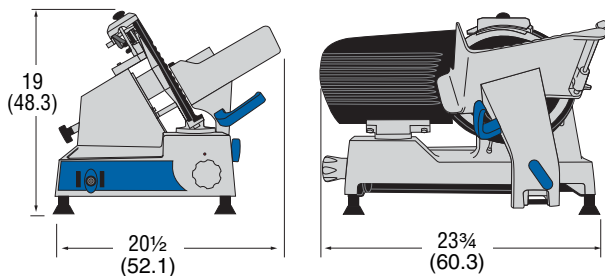
## MODELS

<b>40903</b>	<b>SLR7012/N Belt Driven (US/Canada)</b>	<b>40906</b>	<b>SLR7512/N Gear-Driven (US/Canada)</b>
<b>40904</b>	<b>SLR 7712/N Belt Driven with Safe Blade Removal System (US/Canada)</b>	<b>40907</b>	<b>SLR7912/N Automatic Slicer with Safe Blade Removal (US/Canada)</b>
<b>40905-QC</b>	<b>SLR7012/N Belt Driven (Quebec)</b>	<b>40908</b>	<b>SLM0012/N Belt Driven with Maximum Clearance Receiving Tray and Safe Blade Removal (US/Canada)</b>

## DIMENSIONS

Dimensions shown in inches (cm).

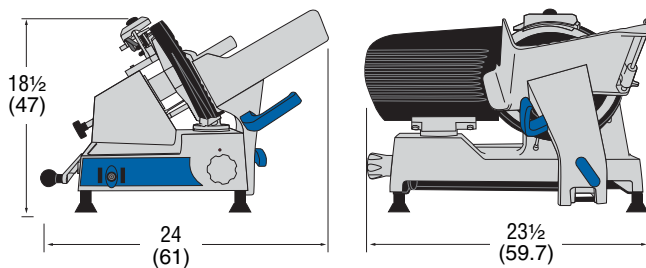
### 40903 / 40904 / 40905-QC



Front View

Side View

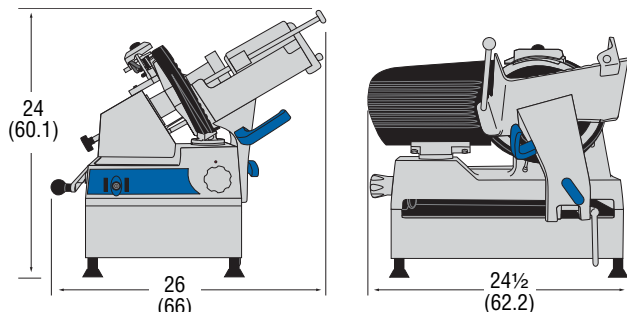
### 40906



Front View

Side View

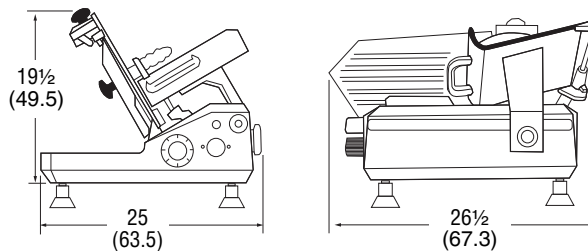
### 40907



Front View

Side View

### 40908



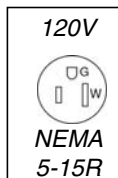
Front View

Side View

## SPECIFICATIONS

Item	Drive	Slicing Capacity		HP	Voltage	Amps	Plug
		Processed Meats	Cheese				
40903	Belt	3 hr/day	1 hr /day or less	1/2	120	2.5	NEMA 5-15P
40904	Belt	3 hr/day	1 hr /day or less	1/2	120	2.5	NEMA 5-15P
40905-QC	Gear	3 hr/day	1 hr /day or less	1/2	120	2.5	NEMA 5-15P
40906	Gear	Continuous	Continuous	1/2	120	2.5	NEMA 5-15P
40907	Belt	Continuous	Continuous	3/4	120	4.7	NEMA 5-15P
40908	Belt	Continuous	3 hr/day	2/3	120	2.5	NEMA 5-15P

### Receptacle



Outperform every day.™

www.vollrath.com

The Vollrath Company, L.L.C.  
 1236 North 18th Street  
 Sheboygan, WI 53081-3201 U.S.A.  
 Customer Service: 800.628.0830  
 Canada Customer Service: 800.695.8560  
 Main Fax: 800.752.5620 or 920.459.6573

Technical Services: 800.628.0832  
 Technical Services Fax: 920.459.5462